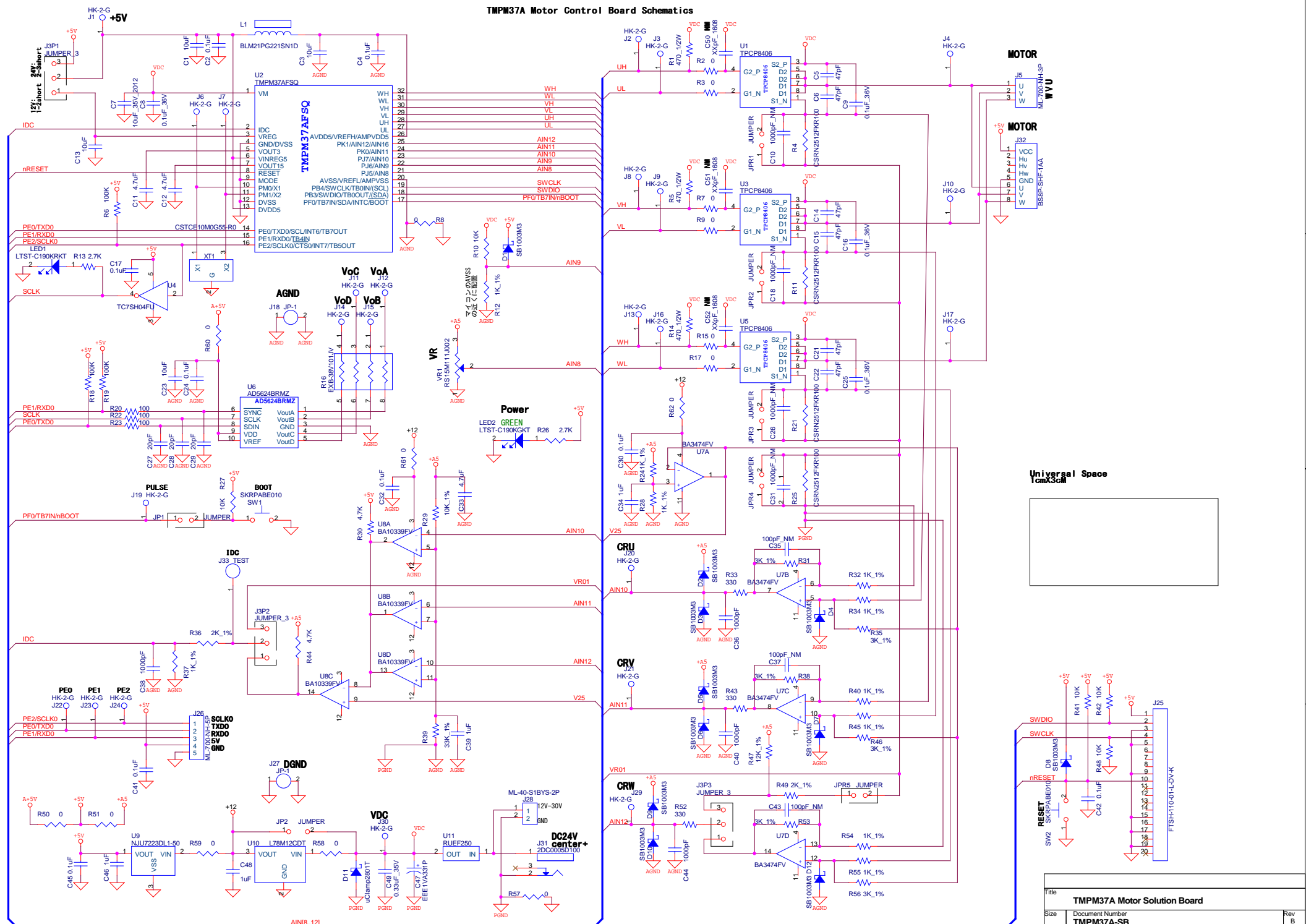


TMPM37A Motor Control Board Schematics



Universal Space  
1cm X 3cm

Title	TMPM37A Motor Solution Board	
Size	Document Number	Rev
Custom	TMPM37A-SB	B
Date	Thursday, March 31, 2016	Sheet 1 of 1